

FUEL SYSTEM

C-9  
No.

PAGE I OF II

APRIL, 1965

TO: ALL ROOTES DEALERS  
MODEL: SUNBEAM IMP  
SUBJECT: 200 MESH FUEL FILTER SCREEN AC FUEL PUMP

The fuel pump filter screen, Part No. K.19779, has been replaced by a much finer 200 mesh filter screen AND plastic holding down distance piece, supplied under Part No. 7050118.

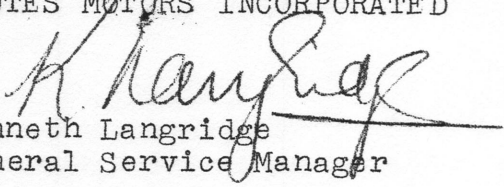
The plastic distance piece (3) is fitted between the filter cover (2) and filter screen (4) as shown in the adjoining illustration. It ensures that the filter screen (4) is held down at its centre, and prevents dirt passing through the clearance between the screen centre hole and cover fixing screw (1).

The filter screen (4) MUST be fitted with its two lifting tags uppermost, as shown by the arrow in the illustration.

This later filter screen, and plastic distance piece can be fitted in place of an existing coarser filter screen.

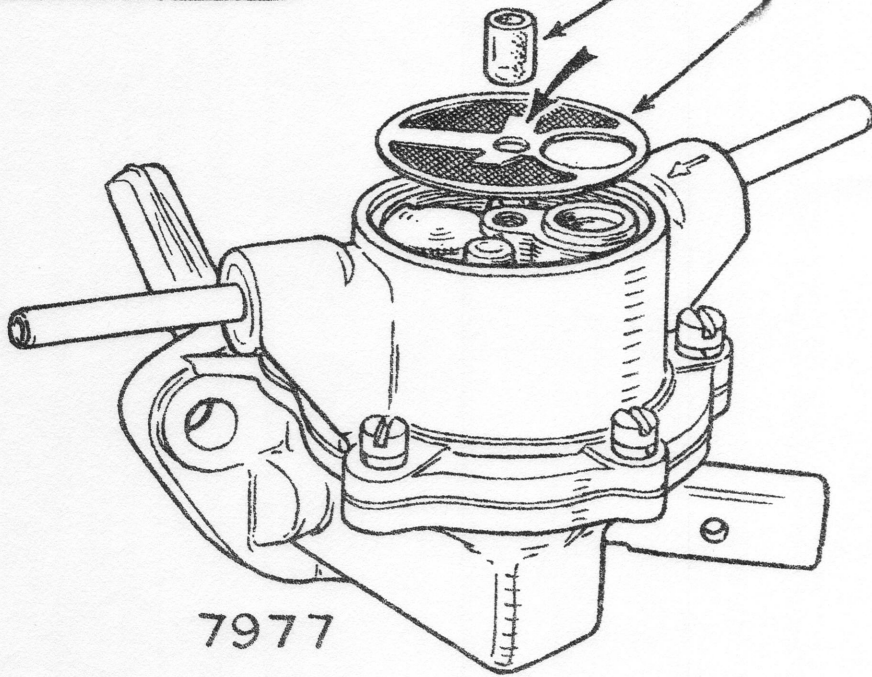
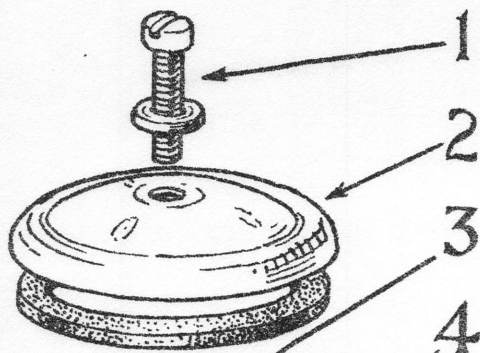
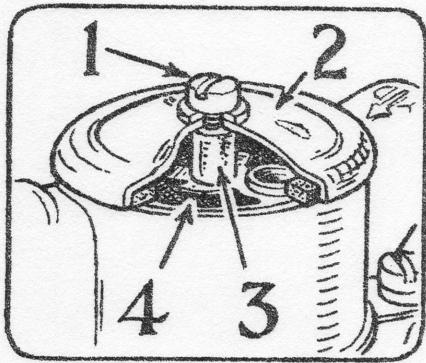
The 200 mesh filter is an extremely fine gauze and must be cleaned at the first 500 miles (800 Kms) service and at subsequent 5,000 miles (8,000 Kms) servicing intervals.

ROOTES MOTORS INCORPORATED

  
Kenneth Langridge  
General Service Manager

KL/jd

Sketch No. 7977 overleaf



7977